

# Metering Pump Stands

## Overview

Do you have a requirement for a non-corrosive, easy-to-install floor or wall mounted stand/table for your facility's chemical feed and metering pumps?



Fibergrate Composite Structures Inc. can provide you with a complete solution utilizing our Fibergrate® fiberglass reinforced plastic (FRP) molded grating with our corrosion resistant Vi-Corr® resin system, Fiberplate® solid FRP plate and Dynaform® structural shapes.



With standard options of 1 to 4 bays, floor mounted or wall mounted and with optional drip-pans and pump mount kits, Fibergrate's pump stands/tables offer a simplified, cost effective solution to fit your requirements.

## Why use Fibergrate's Pump Stands?



**Corrosion Resistance:**

Fibergrate composite products are known for their ability to provide corrosion resistance in the harshest environments and chemical exposures. Our products remain durable and will not rust or rot.



**Low Maintenance**

The corrosion resistant properties of Fibergrate's products reduce or eliminate the need for sandblasting, scraping and painting. Products are also easily cleaned with a high pressure washer.



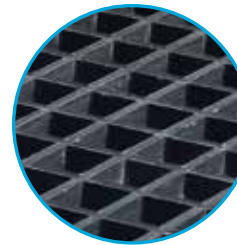
**Easy Installation**

FRP products are lightweight and easy to fabricate. Fibergrate products eliminate the need for heavy lifting equipment, creating convenience for chemical contractors initially installing pumps.

## Materials

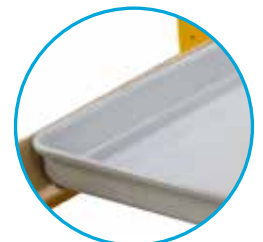
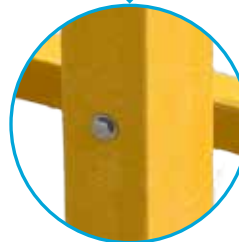
Fiberglass Reinforced Plastics (FRP)

- Fibergrate® Grating with Vi-Corr® Resin System
- Fiberplate® FRP Plate (Vi-Corr Resin)
- Dynaform® Structural Shapes



Fibergrate® molded grating, Vi-Corr® vinyl ester resin, 1-1/2" deep x 1-1/2" sq mesh, meniscus surface, dark gray

Dynaform® yellow square tube & beige equal leg angle



Drip Tray Kit  
Fiberglass pan, light gray  
Dynaform angle, beige

## Other Benefits

- Long Service Life
- Easy to Order
- Non-Conductive
- Impact Resistance
- High Strength to Weight Ratio
- Fire-Retardant

## Our Company

Fibergrate Composite Structures Inc., the originator of fiberglass reinforced plastic (FRP) molded grating, has five decades of experience manufacturing grating and other composite products. With in-house design, engineering and fabrication services, Fibergrate leads the industry in innovative solutions for numerous applications and industries. For additional information, please contact your local Fibergrate sales representative.

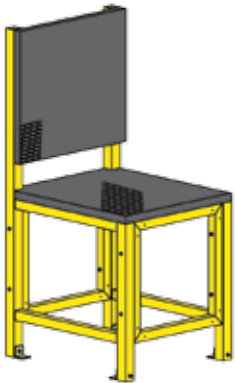
# Metering Pump Stands

## Options and Part Numbers

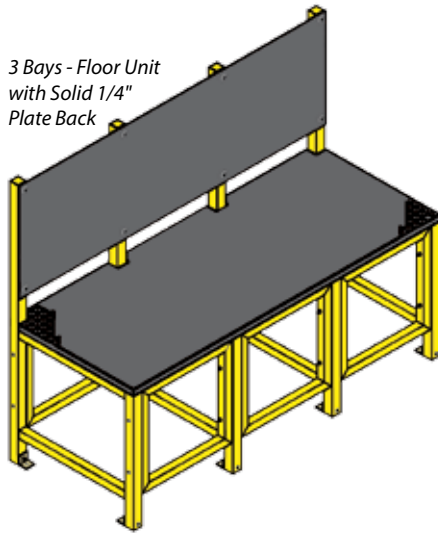
PUMP STAND OPTIONS				
TYPE	Number of Bays w/ Part Number			
	1	2	3	4
Floor Mount w/ Grating Back	86500035	86500036	86500037	86500038
Floor Mount w/ 1/4" Plate Back	86500090	86500091	86500092	86500093
Floor Mount - No Back	86500039	86500040	86500041	86500042
Wall Mount - No Back	86500043	86500044	86500045	86500046
PLEASE NOTE: FOR DRIP TRAY KITS, PART NUMBER* BELOW MUST BE ORDERED IN ADDITION TO THE PUMP STAND PART NUMBERS LISTED ABOVE				
Drip Tray Kit	86500027*	86500028*	86500029*	86500030*
Pump Mount Kit	86500094	Each kit contains two each FRP equal leg angles (2" x 1/4"), 12" Lengths **END USER RESPONSIBLE FOR DRILLING HOLES & SUPPLYING MOUNTING HARDWARE**		

**NOTE:** The maximum pump weight per single bay is 100 lbs.

1 Bay - Floor Unit  
with Grating Back



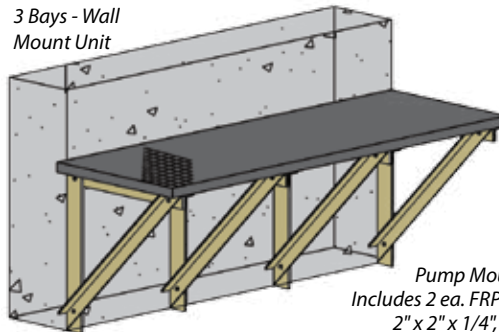
3 Bays - Floor Unit  
with Solid 1/4"  
Plate Back



2 Bays - Floor Unit  
(No Back)



3 Bays - Wall  
Mount Unit

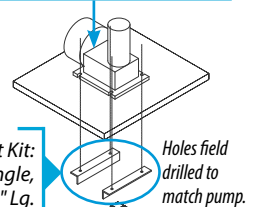


Drip Tray Kit  
(Shown on  
1 Bay - Floor Unit  
w/Grating Back)

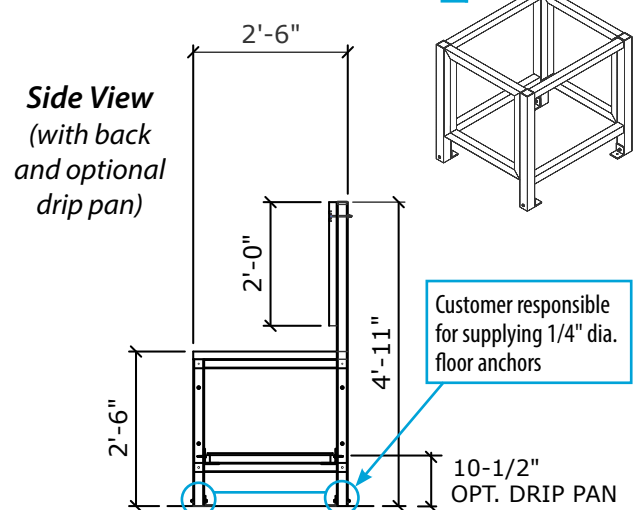
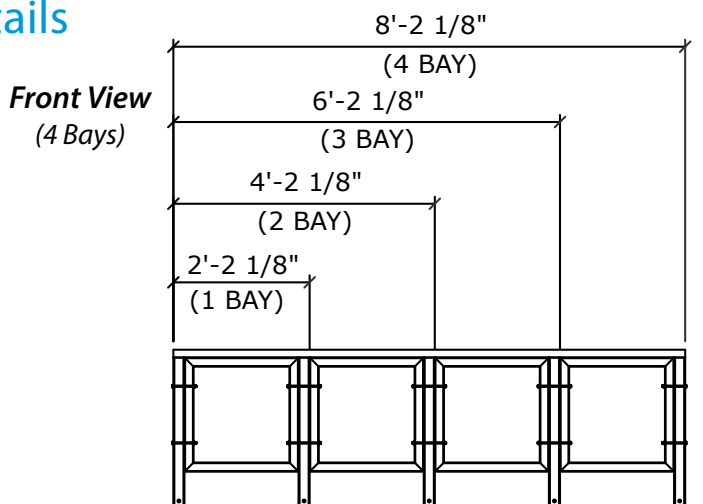


Customer responsible for supplying  
metering pump and assembly bolts.

Pump Mount Kit:  
Includes 2 ea. FRP angle,  
2" x 2" x 1/4", 12" Lg.



## Details



Phone: 877.771.7757 (Toll Free)  
Fax: 877.720.9973



www.fibergrate.ca

Fibergrate Composite Structures Inc. believes the information contained here to be true and accurate. Fibergrate makes no warranty, expressed or implied based on this literature and assumes no responsibility for consequential or incidental damages in the use of these products and systems described, including any warranty of merchantability or fitness. Information contained here is for evaluation only.  
©Fibergrate Inc. 2016 Part No. 883312-02/17-1.0

5073 - 03/17

